

# DUCANE®

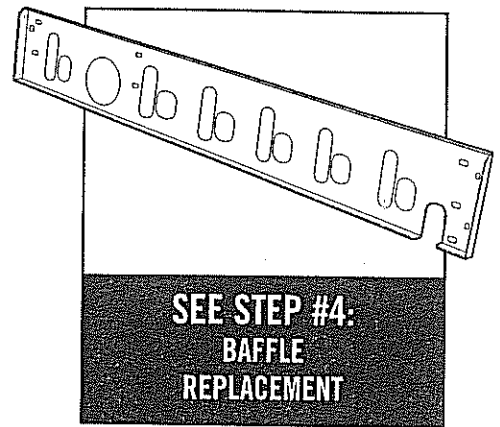
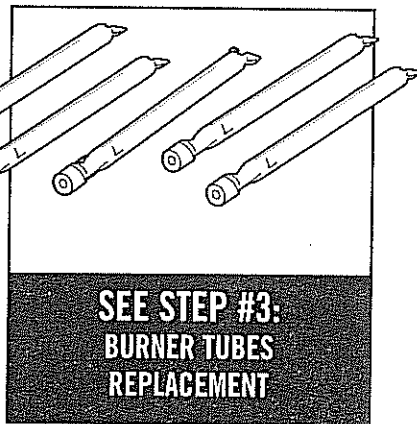
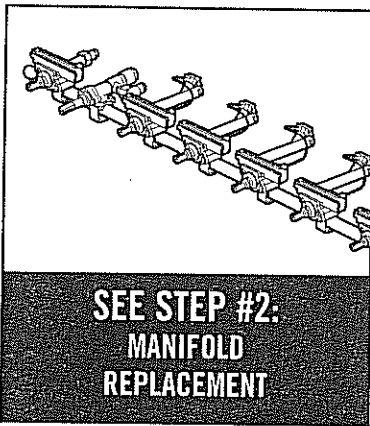
Meridian

## 5 BURNER SERIES MANIFOLD / BURNER TUBES / BAFFLE REPLACEMENT INSTRUCTIONS

THIS PROCEDURE SHOULD ONLY BE PERFORMED BY AN  
AUTHORIZED DUCANE® PRODUCTS CO. SERVICE TECHNICIAN

⚠ **WARNING:** GENUINE DUCANE® REPLACEMENT PARTS MUST BE USED FOR ANY REPAIR OR REPLACEMENT. YOUR ACTIONS, IF YOU FAIL TO FOLLOW THIS PRODUCT WARNING, MAY CAUSE A FIRE, AN EXPLOSION, OR STRUCTURAL FAILURE RESULTING IN SERIOUS PERSONAL INJURY OR DEATH AS WELL AS DAMAGE TO PROPERTY.  
(WILL VOID ALL WARRANTY PROTECTION.)

⚠ **DANGER:** BEFORE PERFORMING ANY WORK MAKE SURE THE GAS SUPPLY IS TURNED OFF AT THE SOURCE. FAILURE TO FOLLOW DANGERS, WARNINGS AND CAUTIONS CONTAINED IN THIS INSTRUCTION SHEET MAY CAUSE A FIRE OR AN EXPLOSION RESULTING IN SERIOUS PERSONAL INJURY OR DEATH AS WELL AS DAMAGE TO PROPERTY.



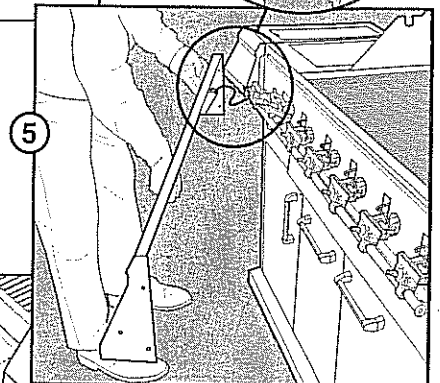
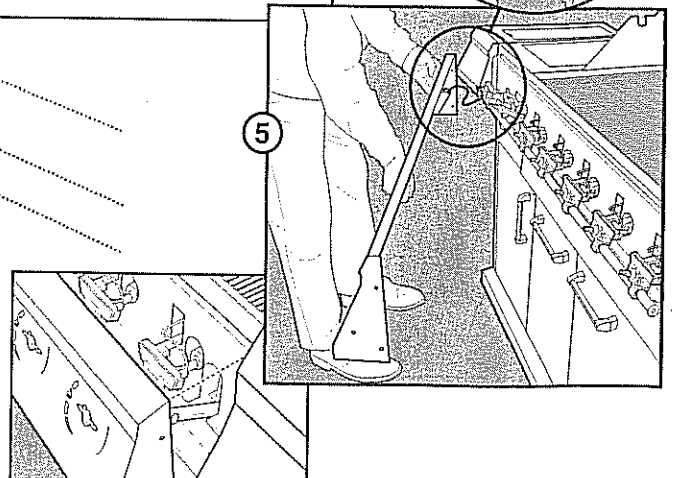
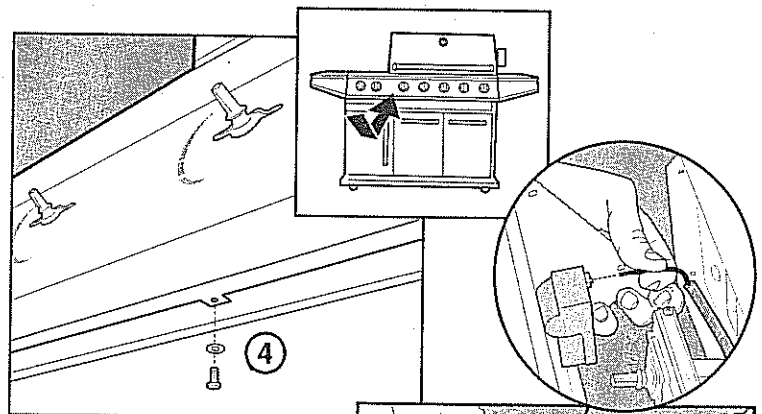
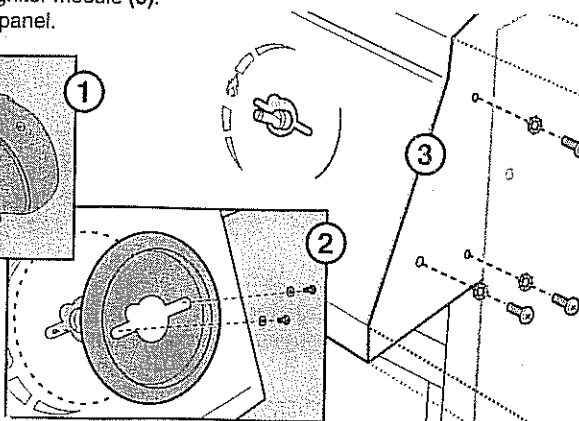
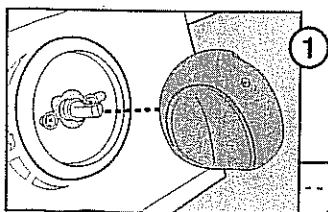
1

### CONTROL PANEL REMOVAL

**TOOLS NEEDED:**  - PHILLIPS

#### Control Panel Removal:

- Remove all of the control knobs (1).
- Remove the two (2) screws and washers holding each valve to the control panel and control knob bezel (2) with a Phillips head screwdriver. **DO NOT** remove the rotisserie bezel, it is not connected to the manifold.
- Underside of both side tables:* Remove three (3) screws and lock washers from both sides of the control panel (3).
- Remove the one (1) screw and washer holding the control panel to the control support bracket with a Phillips head screwdriver (4).
- Pull the control panel away from the grill a few inches. Disconnect the wire from the electronic igniter module (5).
- Remove the control panel.





- IF REPLACING ONLY THE MANIFOLD, COMPLETE THIS STEP AND THEN SKIP TO STEP #5 (CHECK FOR GAS LEAKS).
- IF YOU NEED TO REPLACE THE BURNER TUBES OR BAFFLE, COMPLETE THIS STEP AND THEN CONTINUE TO STEP #3.

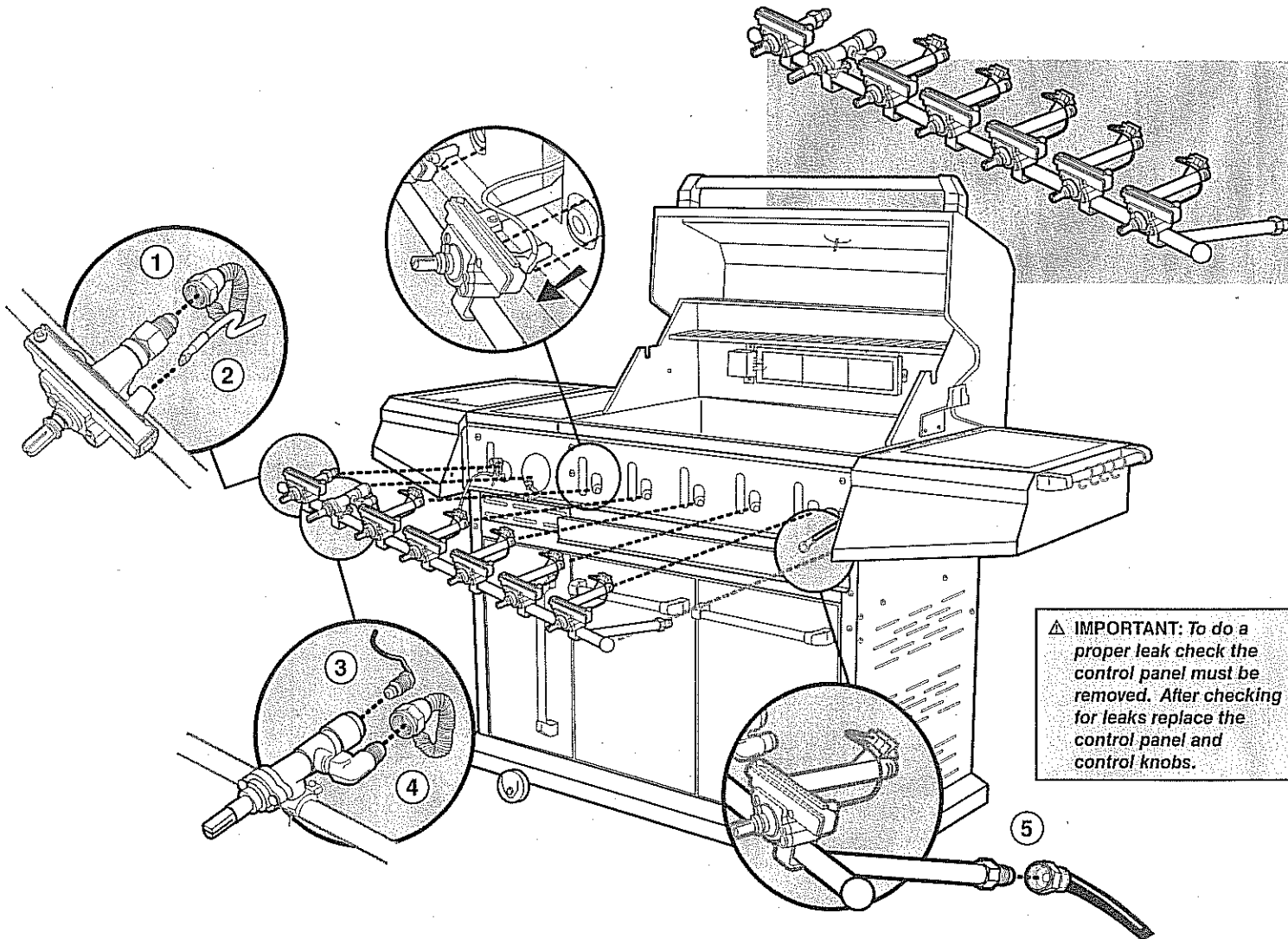
### TOOLS NEEDED:

 - 5/8", 3/4", 10 MM

- ⚠ MAKE SURE THAT ALL GAS LINES AND WIRES HAVE BEEN DISCONNECTED BEFORE ATTEMPTING TO REMOVE MANIFOLD COMPLETELY.

### Manifold Removal:

- Pull the manifold out slightly to gain access to the side burner gas lines and IR burner gas line and thermocouple.
  - Side burner valve assembly:** Disconnect the side burner gas line (1) (using a 5/8" wrench). Pull out the side burner igniter wire (2), from the manifold side burner valve assembly. Let the side burner gas line and side burner igniter wire, rest on the baffle on the cookbox.
  - IR burner valve assembly:** Disconnect the IR burner thermocouple line (3) and IR burner gas line (4), from the manifold IR burner valve assembly, (use a 10 MM and a 5/8" wrench). Let the IR burner thermocouple and IR burner gas line rest on the baffle on the cookbox.
- ⚠ Do not bend Thermocouple (3) line. This could cause it to break.
- ⚠ Wipe off the end of Thermocouple (3) with a clean, soft cloth before re-connecting.
- Disconnect the regulator gas line (5) (using a 3/4" wrench).
  - Slide the manifold out and away from the cookbox.



INSTALL THE NEW MANIFOLD AND MANIFOLD CONNECTIONS, THEN SEE STEP #5 (CHECK FOR GAS LEAKS).

FOLLOW STEPS IN REVERSE ORDER FOR GRILL RE-ASSEMBLY.

- TO REPLACE THE BURNER TUBES OR BAFFLE, CONTINUE TO THE NEXT STEPS.

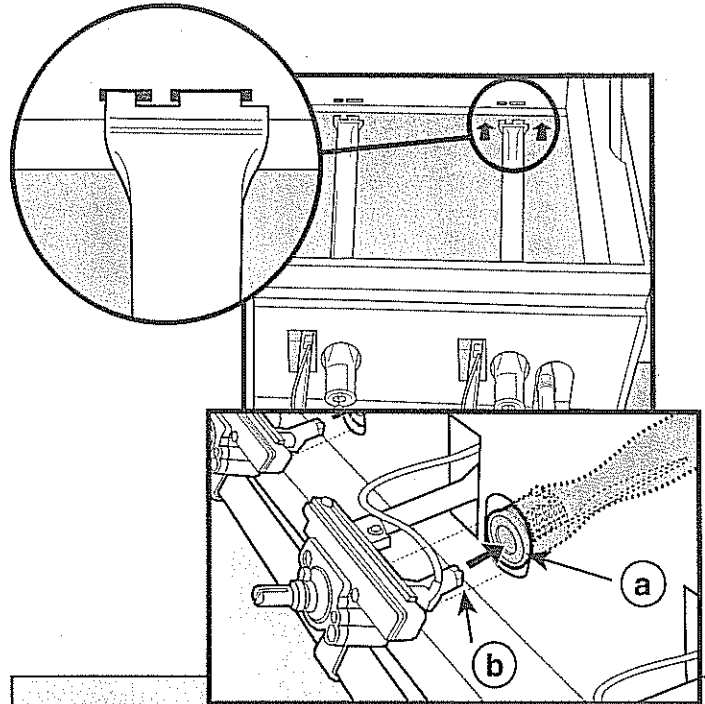
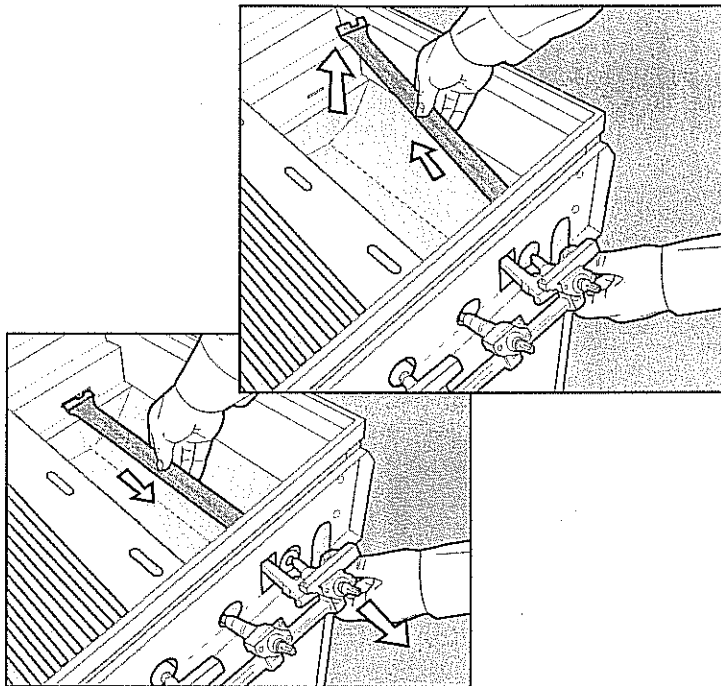
- ⚠ **WARNING:** Make sure that all parts are assembled and hardware is fully tightened before operating the grill. Your actions, if you fail to follow this Product Warning, may cause a fire, an explosion, or structural failure resulting in serious personal injury or death as well as damage to property.

**3****BURNER TUBES REMOVAL**

If only replacing burner tubes: Do STEP #1, and then slide the manifold out slightly to release the burner tubes from the burner assemblies. No need to disconnect any of the gas lines or igniter wires.

**Burner Tube Removal:**

- Inside the cookbox: Remove the cooking grates and heat distribution bars out of the cookbox.
- Slide the burner tubes towards the manifold to release the burner tube from the slots on the back of the cookbox.
- Lift the notched end of the burner tube up and slide the burner tube out from the inside of the cookbox.



- ⚠ **CAUTION:** When installing the manifold assembly, the burner tube openings (a) must be positioned properly over the valve orifices (b).
- ⚠ **VISUAL CHECK:** Make sure that all of the manifold valves are positioned into all of the burner tubes.
- ⚠ **VISUAL CHECK:** Make sure the slotted end of the burner tubes are properly aligned into the slots on the backside of the cookbox.

• TO REPLACE THE BAFFLE, CONTINUE TO THE NEXT STEP.

INSTALL NEW BURNER TUBES AND REINSTALL MANIFOLD ASSEMBLY, THEN SEE STEP #5 (CHECK FOR GAS LEAKS).

FOLLOW STEPS IN REVERSE ORDER FOR GRILL RE-ASSEMBLY.

**4****BAFFLE REMOVAL**

**TOOLS NEEDED:**  - PHILLIPS

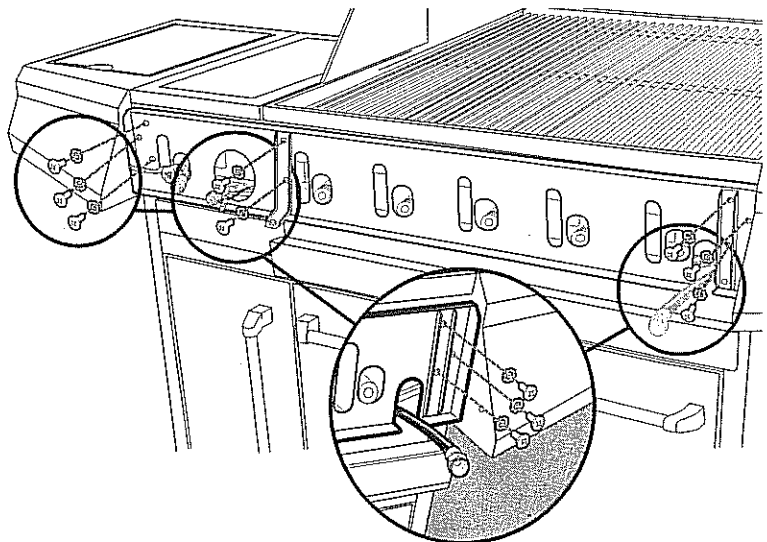
⚠ **MAKE SURE THAT STEPS #1-3 HAVE BEEN COMPLETED BEFORE ATTEMPTING TO REMOVE THE BAFFLE.**

**Baffle Removal:**

- Remove the eight (8) screws and lock washers to release the baffle from the cookbox assembly.
- Slide the right side out to release the baffle from between the two side tables.

INSTALL THE NEW BAFFLE, REINSTALL BURNER TUBES AND MANIFOLD ASSEMBLY, THEN SEE STEP #5 (CHECK FOR GAS LEAKS).

FOLLOW STEPS IN REVERSE ORDER FOR GRILL RE-ASSEMBLY.



*NOTE: The grills illustrated may have slight differences than the model purchased.*

**⚠ DANGER**

Do not use an open flame to check for gas leaks. Be sure there are no sparks or open flames in the area while you check for leaks. Sparks or open flames will result in a fire or explosion, which can cause serious bodily injury or death and damage to property.

**⚠ IMPORTANT:** To do a proper leak check the control panel must be removed. After checking for leaks replace the control panel and control knobs.

**Check for Gas Leaks:**

You will need: a soap and water solution and a rag or brush to apply it.

- A) Mix a small amount of liquid soap and water together.
- B) Turn on the gas supply at the source.
- C) Check for leaks by wetting the fitting(s) with the soap and water solution and watching for bubbles. If bubbles form, or if a bubble grows, there is a leak.
- D) When leak checking is complete, turn gas supply off at the source and rinse connections with water.

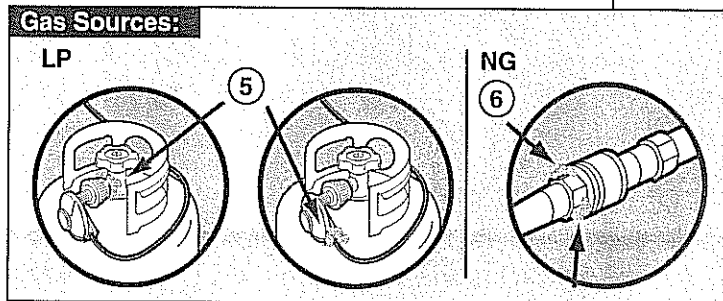
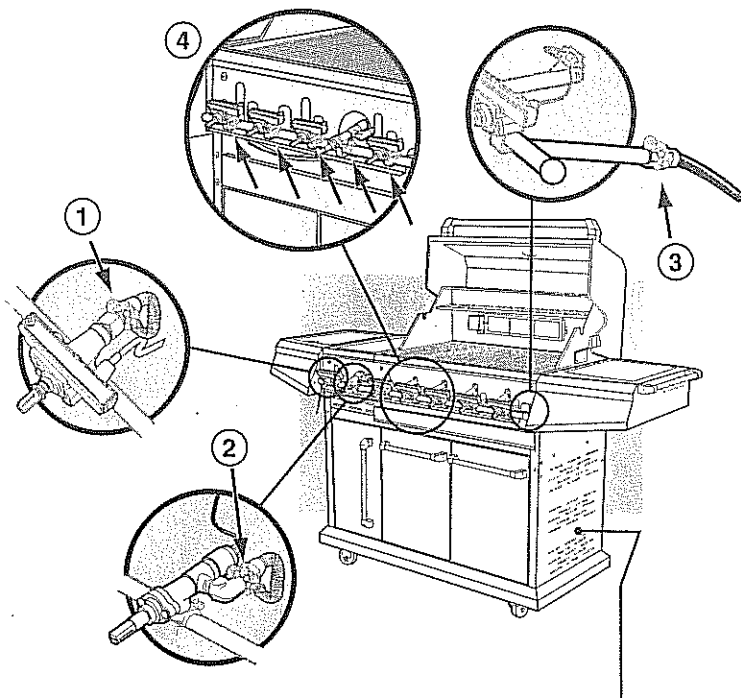
**Check:**

- A) Gas supply to side burner valve assembly (1).
- B) Gas supply to IR burner valve assembly (2).
- C) Regulator to manifold connection (3).

**⚠ DANGER:** If there is a leak at connection (1, 2 or 3), retighten the fitting with a wrench and recheck for leaks with soap and water solution. If a leak persists, turn OFF the gas. **DO NOT OPERATE THE GRILL.** Failure to follow dangers, warnings and cautions contained in this Instruction sheet may cause a fire or an explosion resulting in serious personal injury or death as well as damage to property. Contact the Customer Service Representative in your area using the contact information on our web site. Log onto [www.ducane.com](http://www.ducane.com).

- D) Valve to manifold connection (4).
- E) LP: Regulator connection (5).
- F) NG: Hose to quick disconnect gas line connection (6).

**⚠ DANGER:** If there is a leak at connection (4, 5, or 6), turn off the gas. **DO NOT OPERATE THE GRILL.** Failure to follow dangers, warnings and cautions contained in this Instruction sheet may cause a fire or an explosion resulting in serious personal injury or death as well as damage to property. Contact the Customer Service Representative in your area using the contact information on our web site. Log onto [www.ducane.com](http://www.ducane.com).



When leak checks are complete, turn gas supply OFF at the source and rinse connections with water.

**⚠ PROPOSITION 65 WARNING: HANDLING THE BRASS MATERIAL ON THIS PRODUCT EXPOSES YOU TO LEAD, A CHEMICAL KNOWN TO THE STATE OF CALIFORNIA TO CAUSE CANCER, BIRTH DEFECTS OR OTHER REPRODUCTIVE HARM.**

**(WASH HANDS AFTER HANDLING THIS PRODUCT.)**

**⚠ WARNING:** All repairs to gas carrying, gas burning, igniter components or structural components must be performed by an authorized Ducane® Products Co. service technician.

These parts may be gas carrying, gas burning components, igniter components or structural components. Please contact Ducane® Product Co., Customer Service Department for Ducane® replacement part(s) information.

**⚠ WARNING:** Do not attempt to make any repair to gas carrying, gas burning, igniter components or structural components without contacting Ducane® Products Co., Customer Service Department. Your actions, if you fail to follow this Product Warning, may cause a fire, an explosion, or structural failure resulting in serious personal injury or death as well as damage to property.

# DUCANE®

Ducane® Products Co.  
Customer Service Center  
1890 Roselle Road, Suite 308  
Schaumburg, IL 60195

1-800-382-2637 (USA ONLY)  
[www.ducane.com](http://www.ducane.com)