

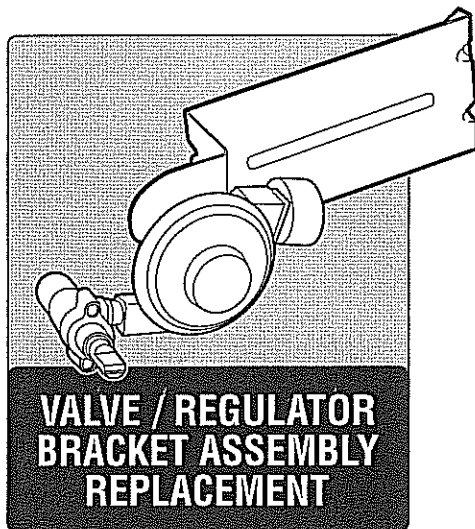


VALVE / REGULATOR BRACKET ASSEMBLY REPLACEMENT INSTRUCTIONS

THIS PROCEDURE SHOULD ONLY BE PERFORMED BY AN AUTHORIZED
WEBER-STEPHEN PRODUCTS LLC SERVICE TECHNICIAN

⚠ WARNING: GENUINE WEBER-STEPHEN REPLACEMENT PARTS MUST BE USED FOR ANY REPAIR OR REPLACEMENT. YOUR ACTIONS, IF YOU FAIL TO FOLLOW THIS PRODUCT WARNING, MAY CAUSE A FIRE, AN EXPLOSION, OR STRUCTURAL FAILURE RESULTING IN SERIOUS PERSONAL INJURY OR DEATH AS WELL AS DAMAGE TO PROPERTY. (WILL VOID ALL WARRANTY PROTECTION.)

⚠ DANGER: BEFORE PERFORMING ANY WORK MAKE SURE THE GAS SUPPLY IS TURNED OFF AT THE SOURCE. FAILURE TO FOLLOW DANGERS, WARNINGS AND CAUTIONS CONTAINED IN THIS INSTRUCTION SHEET MAY CAUSE A FIRE OR AN EXPLOSION RESULTING IN SERIOUS PERSONAL INJURY OR DEATH AS WELL AS DAMAGE TO PROPERTY.



⚠ CAUTION: MAKE SURE GRILL IS OFF AND COOL BEFORE BEGINNING.

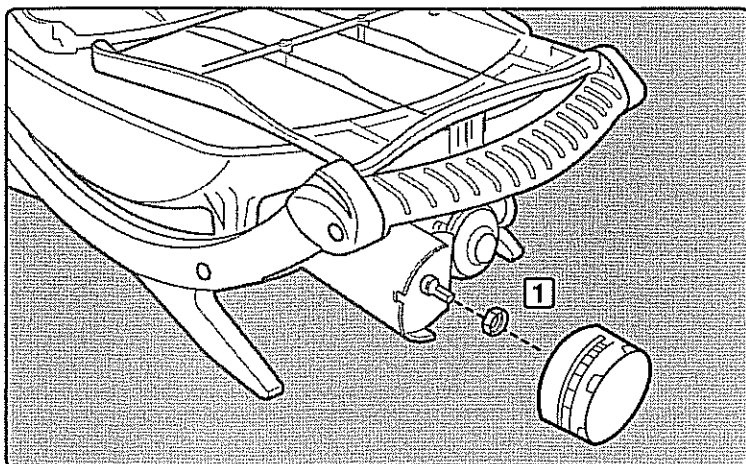
1

HEX NUT REMOVAL

TOOLS NEEDED:

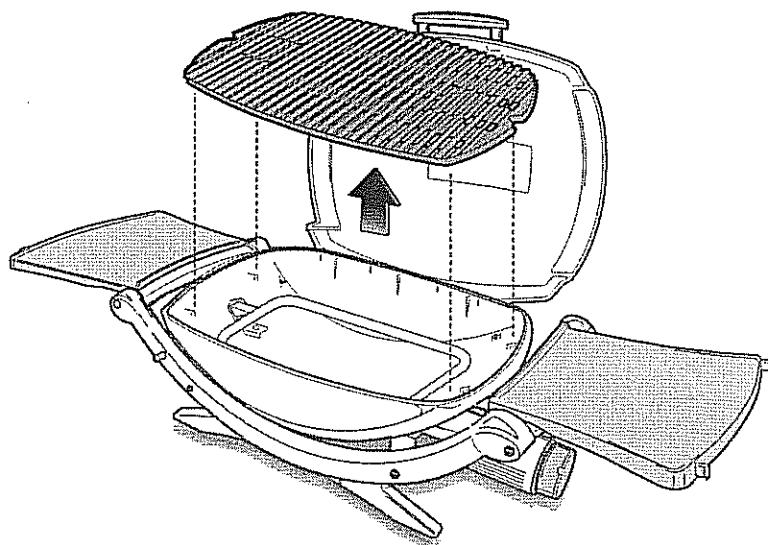


- A) Pull control knob off valve stem.
- B) Using an 11/16" wrench or pliers, remove brass hex nut from valve stem (1).



2

GRATE REMOVAL

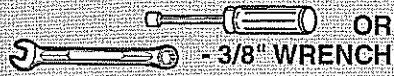


NOTE: Grills illustrated may have slight differences than model purchased.

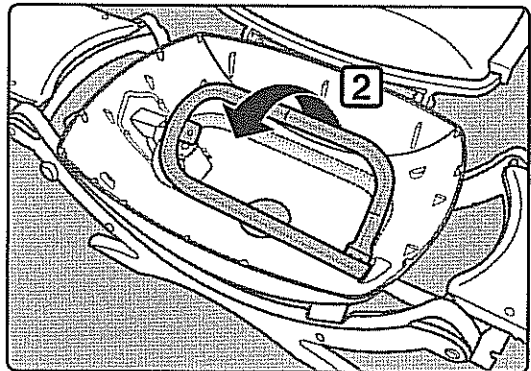
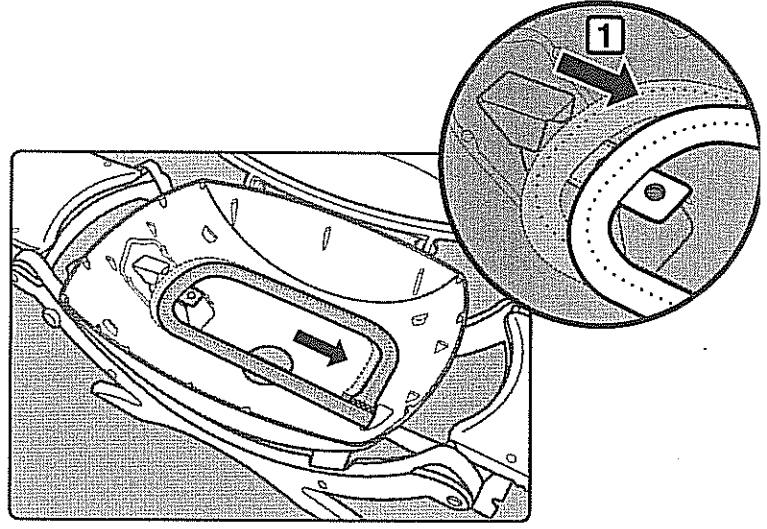
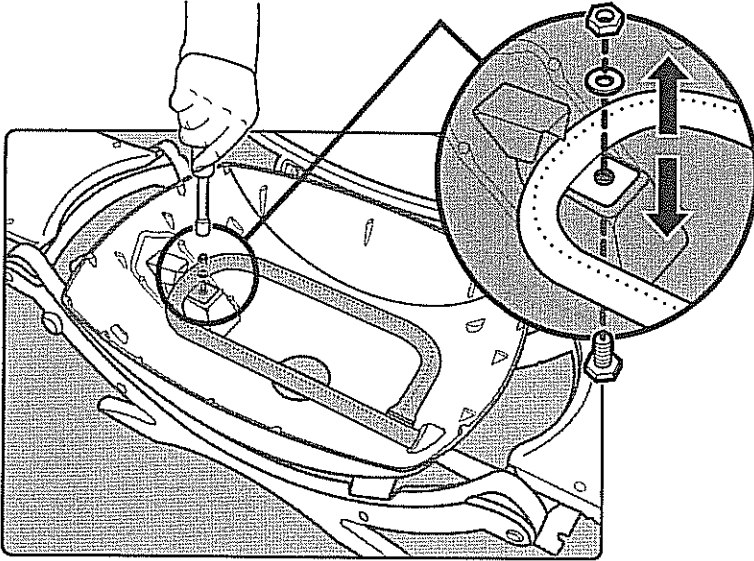
3

BURNER TUBE REMOVAL

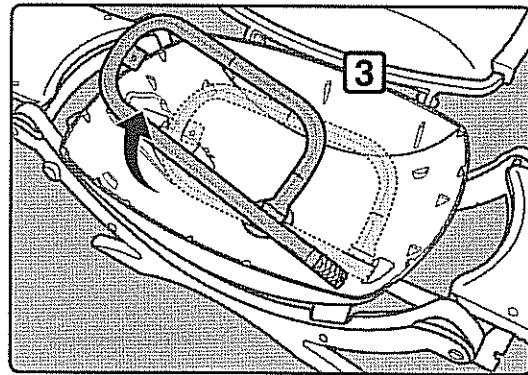
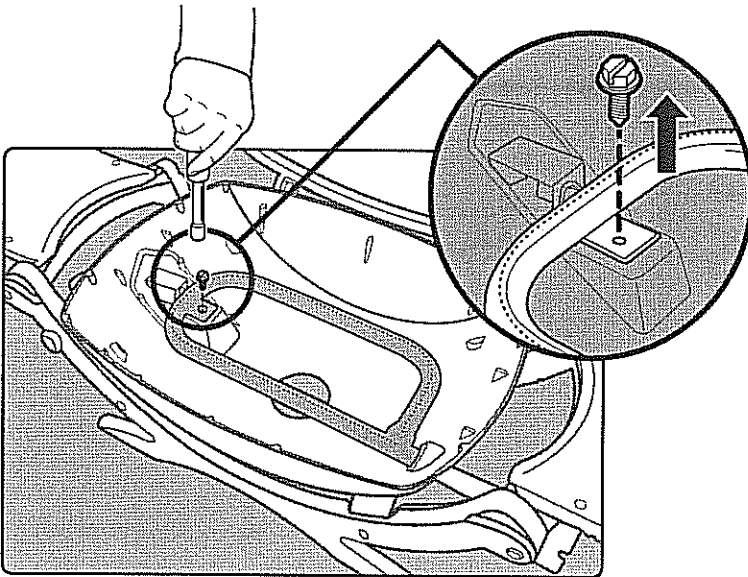
TOOLS NEEDED:



< 2007



2007 +



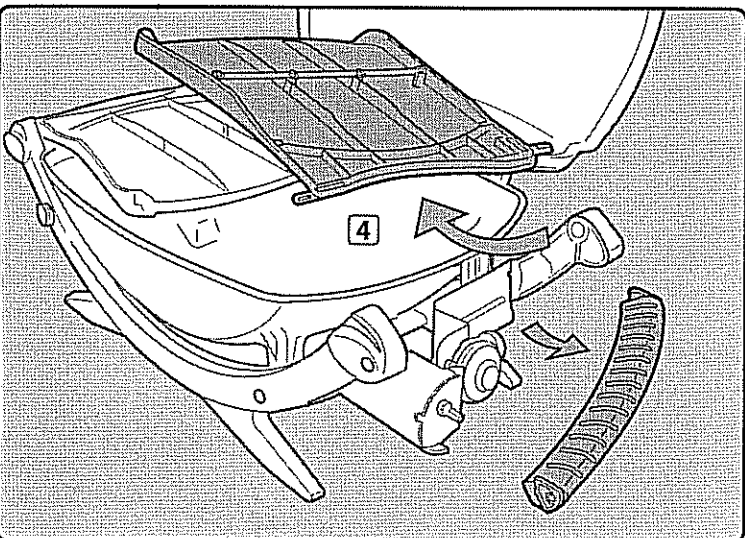
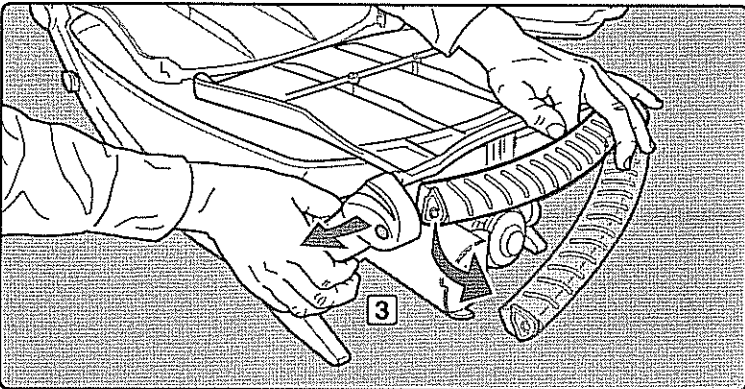
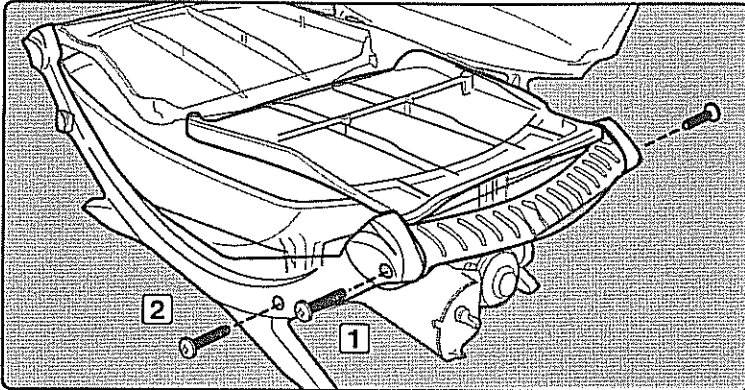
4

HANDLE AND TABLE REMOVAL

TOOLS NEEDED:



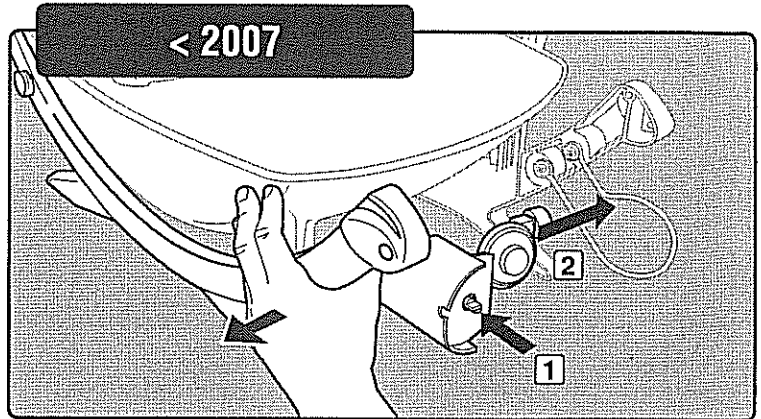
- A) Using a flathead screwdriver or a Torx driver, remove screws that secure handle to frame assembly (1).
- B) Remove screw that secures right side of front frame support to cookbox assembly (2).
- C) **OPEN LID.** Carefully separate front frame support and handle (3).
DISASSEMBLY NOTE: Pull front frame support away from handle to allow room for handle to slide out of frame assembly (3).
- D) Remove table and handle from frame assembly (4).



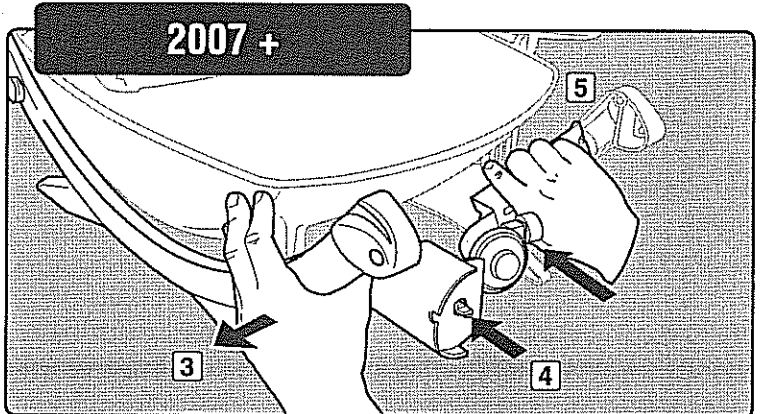
5

VALVE / REGULATOR BRACKET ASSEMBLY REMOVAL

- A) Back valve stem out of control knob housing (1).
- B) Remove valve / regulator bracket assembly (2).



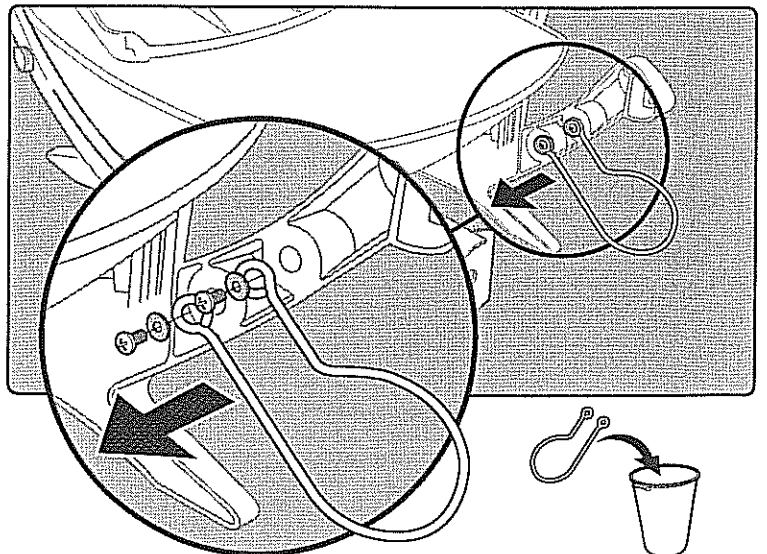
- C) While spreading front frame support apart (3), back valve stem out of control knob housing (4). Remove valve / regulator bracket assembly from rear frame support (5).



6

HOSE BRACKET / GAS CARTRIDGE SUPPORT BASKET REMOVAL

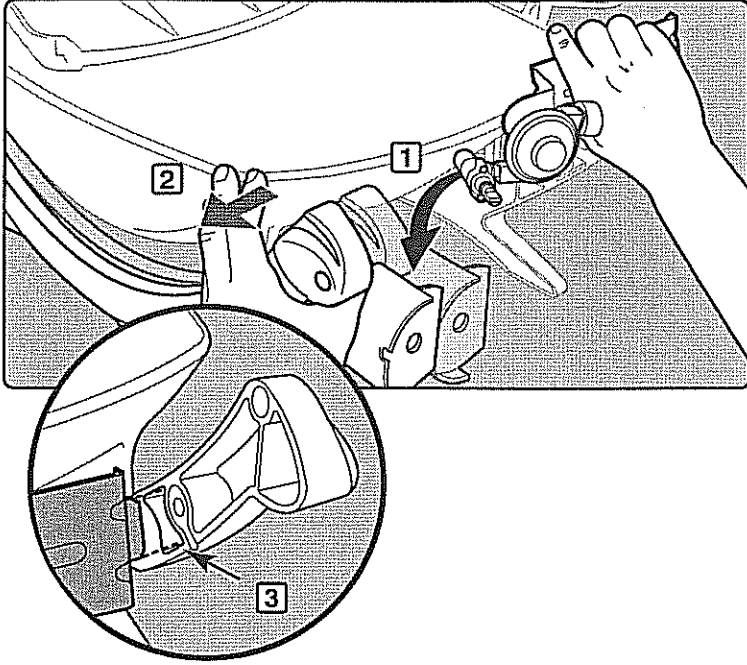
TOOLS NEEDED:



• REPLACEMENT PART INSTALLATION

7 VALVE / REGULATOR BRACKET ASSEMBLY INSTALLATION

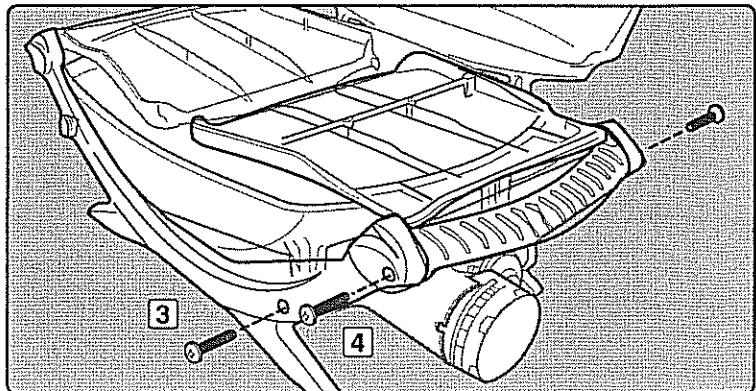
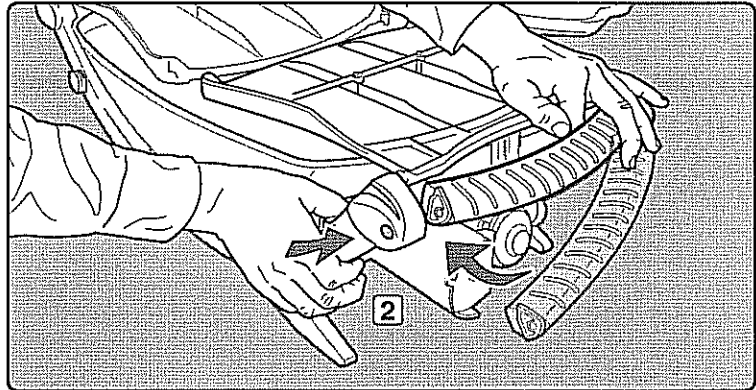
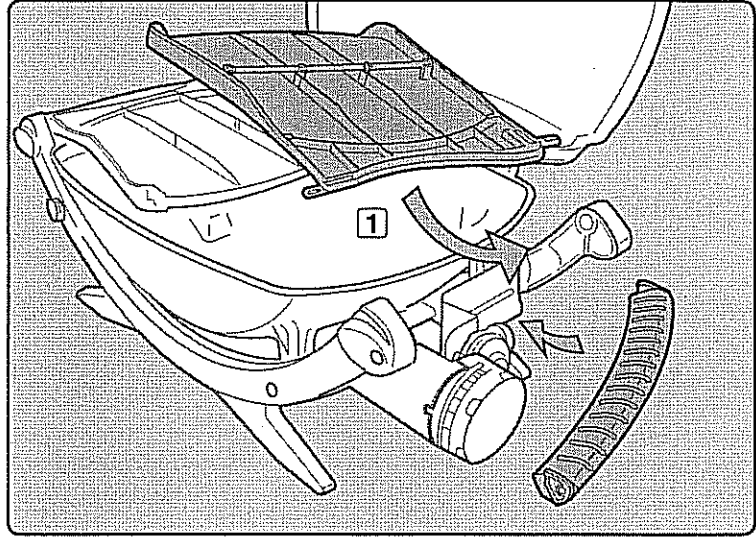
- A) Install valve stem into control knob housing (1).
- B) While spreading front frame support apart (2), insert valve / regulator bracket assembly into notch of rear frame support (3).



9 HANDLE AND TABLE REINSTALLATION

TOOLS NEEDED:  - FLATHEAD

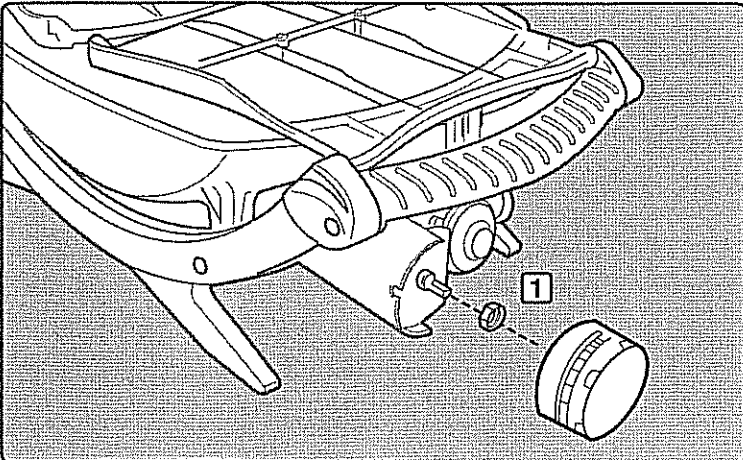
- A) Carefully separate front frame support (1) and handle install table and handle into frame assembly (2).
- B) Using a flathead screwdriver or a Torx driver, install screw that secures right side of front frame support to cookbox assembly (3).
- C) Install screws that secure handle to frame assembly (4).



8 HEX NUT INSTALLATION

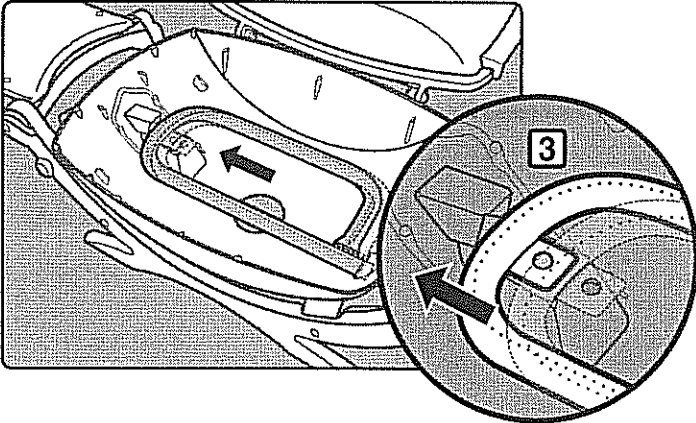
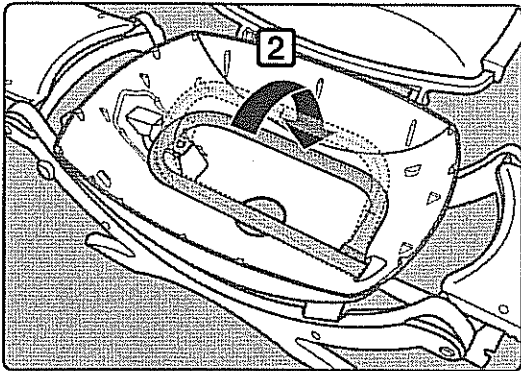
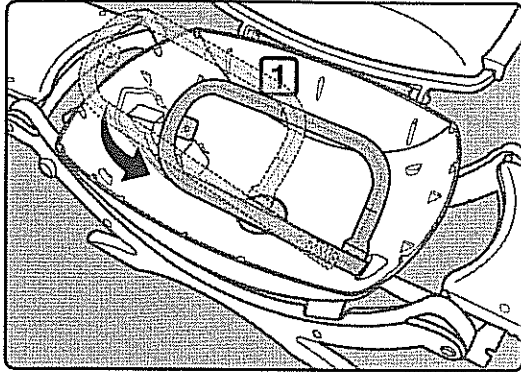
TOOLS NEEDED:  - 11/16"

- A) Using an 11/16" wrench or pliers, install brass hex nut onto valve stem (1).
- B) Install control knob onto valve stem.

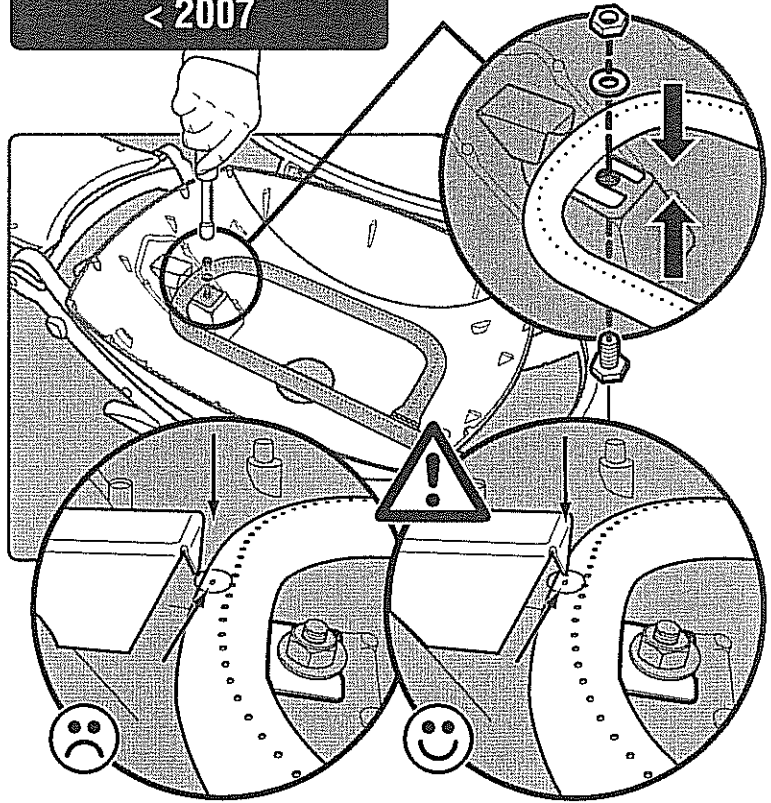


BURNER TUBE REINSTALLATION

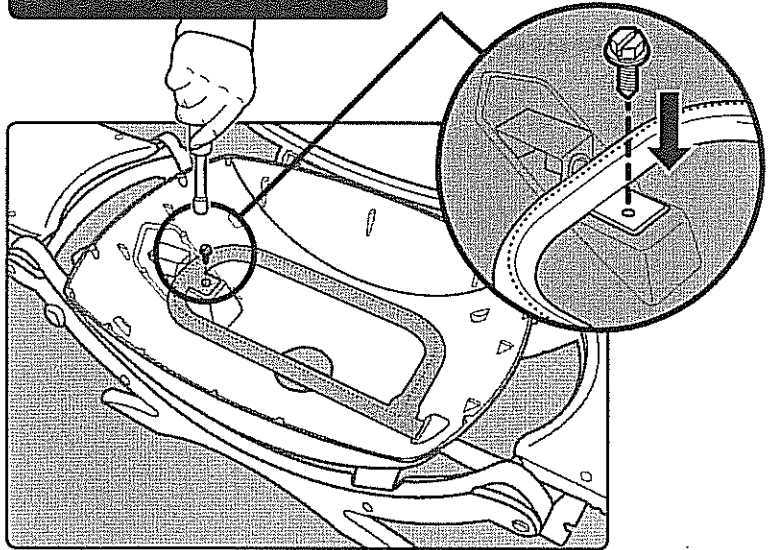
TOOLS NEEDED:



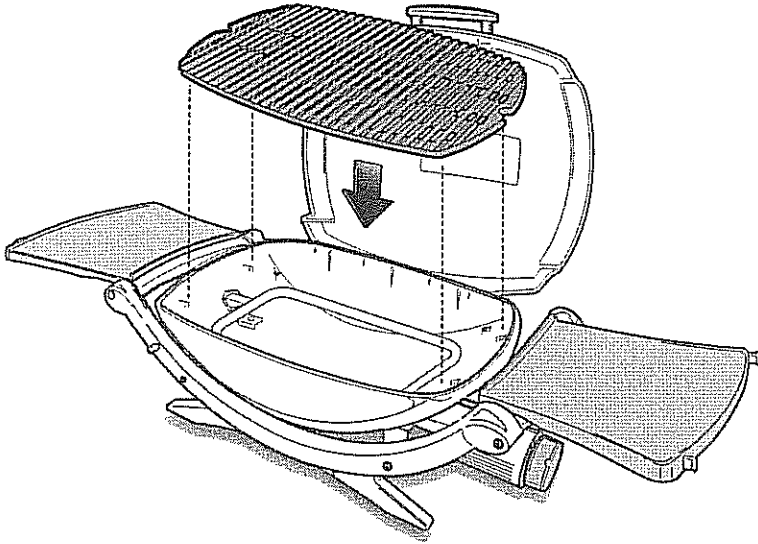
< 2007



2007 +



⚠ WARNING: Make sure all control knobs are turned to the OFF position before reconnecting gas supply and operating grill. Your actions, if you fail to follow this Product Warning, may cause a fire, an explosion, or structural failure resulting in serious personal injury or death as well as damage to property.



⚠ WARNING: Make sure all parts are assembled and hardware is fully tightened before operating the grill. Your actions, if you fail to follow this product warning, may cause a fire, an explosion, or structural failure resulting in serious personal injury or death as well as damage to property.

⚠ PROPOSITION 65 WARNING: HANDLING THE BRASS MATERIAL ON THIS PRODUCT EXPOSES YOU TO LEAD, A CHEMICAL KNOWN TO THE STATE OF CALIFORNIA TO CAUSE CANCER, BIRTH DEFECTS OR OTHER REPRODUCTIVE HARM.

(WASH HANDS AFTER HANDLING THIS PRODUCT.)